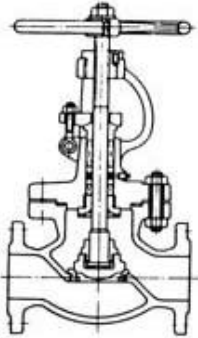
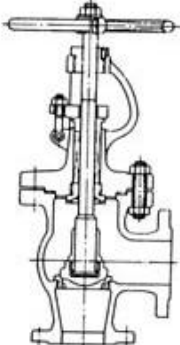
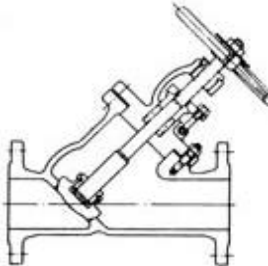
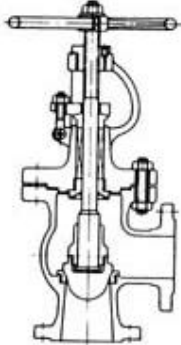


1. (Valve)

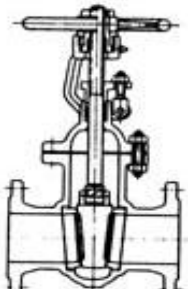
가 가

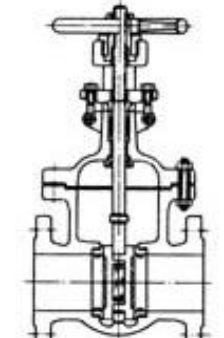
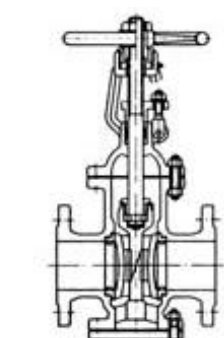
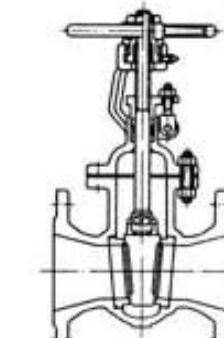
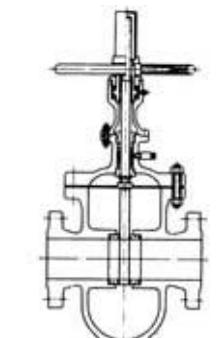
2. (Stop Valve)

가

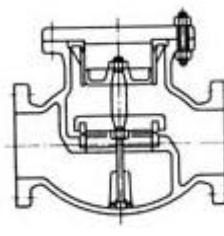
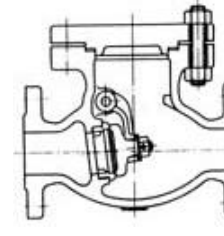
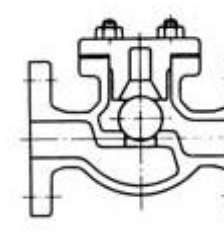
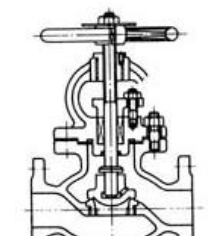
 <p>(Globe valve)</p> <p>가 ,</p> <p>S</p>	 <p>(Angle valve)</p>	 <p>Y</p> <p>(Y-globe valve)</p> <p>가</p>	 <p>(Needle valve)</p> <p>가</p>
--	--	---	--

3.

	<p>(Gate valve)</p> <p>가</p> <p>(Wedge gate valve)</p> <p>가</p>
---	---

			
<p>(Parallel slide valve) 2</p>	<p>(Double disc gate valve) 2</p>	<p>(Venturi port gate valve)</p>	<p>(Through conduit gate valve)</p>

4. (Check valve, Non-return valve)

			
<p>(Lift check valve) 가 가</p>	<p>(Swing check valve) 가</p>	<p>(Ball check valve) 가</p>	<p>(Scre-down stop check valve)</p>

() (Dual plate(wa fertype) check valve)
2 가

() (single plate(wafertype) check valve)

(Tilting disc check valve)

가 ,

(Foot valve)

5. (Plug valve)
가 가

가

6. (Ball valve)
가

가 .

7. (Butterfly valve)

가

(Damper)

(Link butterfly valve)

(Eccentric butterfly valve, offset butterfly valve)

가

(Canted disc butterfly valve)

가

(Flangeless butterfly valve)

가

(Combined non-return butterfly valve)

가

(Reversing valve)

4

가

8. (Diaphragm valve)

가

가

(Weir diaphragm valve)

가

(Straight-way diaphragm valve)

가

9. (Remote operated valve)

(Electric motor operated valve)

(Solenoid operated valve)

(Diaphragm operated valve)

(Cylinder operated valve)

(Oil hydraulic cylinder operated valve)

(Hydraulic cylinder operated valve)

(Air cylinder operated valve)

(Oil motor operated valve)

가

(Air motor operated valve)

가

(Automatic control valve)

()가 .

, ()

10. (Regulating valve)

(Pressure regulating valve)

, ,

(Pressure reducing valve)

2

1

(Vacuum reducing valve)

(Back pressure regulating valve)

1

1

(Differential pressure regulating valve)

1

2

(Pressure ratio regulating valve)

2

(Temperature regulating valve)

(Flow regulating valve)

(Level regulating valve)

(Control valve)

(Pressure control valve)

(Temperature control valve)

(Flow control valve)

(Level control valve)

(Electrical control valve)

(Electro-hydraulic control valve)

(Electro-pneumatic control valve)

(Electro-steam control valve)

(Hydraulic control valve)

(Pneumatic control valve)

(Pneumatic-hydraulic control valve)

(Diaphragm operated control valve)

(Cylinder operated control valve)

(Lever operated control valve)

(Single operated control valve)

1 가

(Double seated control valve)

2 가

(Cage type control valve)

가

(Split body control valve)

2 ,

11. (Safety valve)

가

가 가

< >

1. 가 .

2. 가 , .

(Direct spring loaded safety valve)

(Dead-weight loaded safety valve)

(Lever and weight loaded safety valve)

(Lever and spring loaded safety valve)

(Magnetic operated safety valve)

(Pilot operated safety valve)

. 가 가 .

(Cylinder operated safety valve)

(Bellow balanced safety valve)

< >

(Unbalanced safety valve)

(Opened type safety valve)

가

(Enclosed type safety valve)

가

(Lift safety valve)

가

1/40

1/4

가

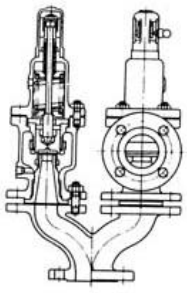
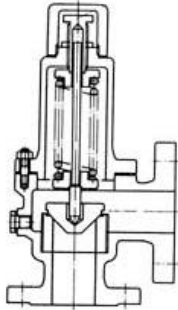
(Full bore safety valve)

1.15

가

1.05

1.7

	<p>(Twin type safety valve)</p> <p>1 Y</p> <p>2</p>		<p>(Relife valve)</p> <p>가 ,</p> <p>가</p> <p>가</p> <p>< ></p> <p>1. 가 .</p> <p>2. .</p>
---	--	---	--

(Safety relief valve)

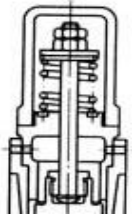
가 , 가

< >

- 1.
- 2.

가 .

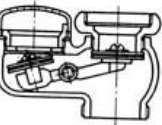
,가



(Vacuum relief valve)

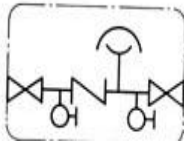
가

(Vacuum breaker)



(Atmospheric type Vacuum breaker)

가 ,

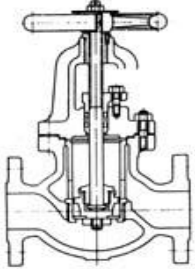
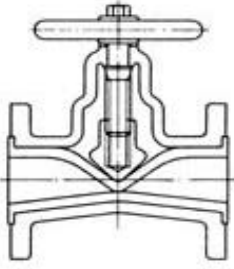
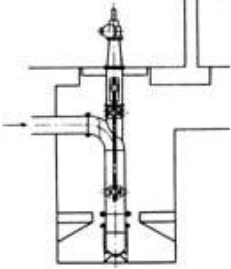
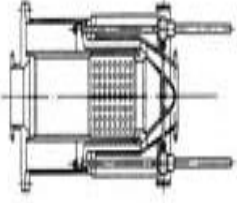
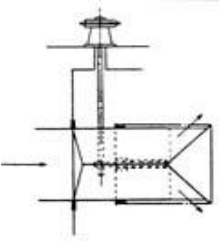
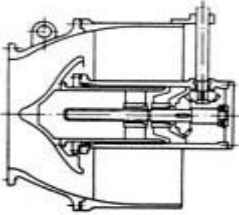
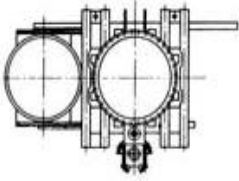
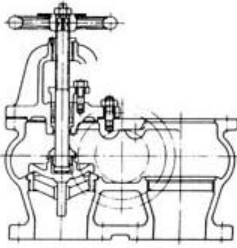


(Pressure type Vacuum breaker)

가 ,

12.

<p>(Deluge valve)</p>	<p>(Excess flow valve)</p> <p>가</p> <p>가</p>	<p>(Bellows valve)</p>	<p>(Plate valve)</p> <p>가</p>
-----------------------	--	------------------------	-------------------------------

 <p>(Piston valve) 가</p>	 <p>(Pinch valve)</p>	 <p>(Sleeve valve) 가</p>	 <p>(Multi-jet sleeve valve)</p>
 <p>(Fixed cone sleeve valve)</p>	 <p>(Hollow jet valve) 가</p>	 <p>(Goggle valve) 가² 가</p>	 <p>(Manifold valve) 1 가 2</p>