

PP - Air/hydraulic pumps (series 2100)

- FP, RC and MRV models have built- in release valve that return oil to the tank.
- Level glass allows oil level to be checked.
- All pumps are equipped with silencers.

PP-2100 series pumps are available in several different versions:

FP - with foot pedal for controlling start/stop and releasing.

RC - with 2,5 m remote control. Pump is controlled by two buttons on the control unit (start/stop and release).

MLD - with lever control valve for double acting hydraulic operation.

MRV - with ports for pressure and return connections. Lever valve for manual release. For use with tools that have their own valve or with a separate external valve.

Gauges

For PP70-2100RC/MLD/MRV pumps we recommend gauge AMT801. No adapter is needed, the gauge can be connected directly to the pump.

For PP70-2100FP pumps, we recommend gauge AMT801 and gauge adapter ATM214 for attaching the gauge to the pump.

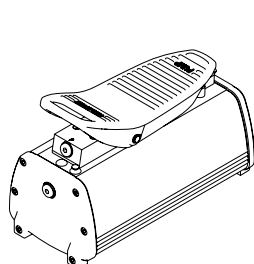
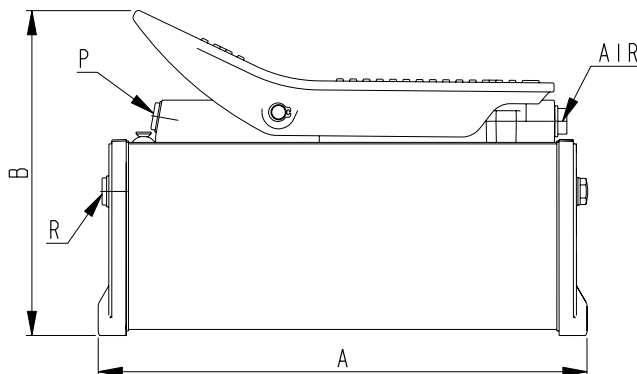
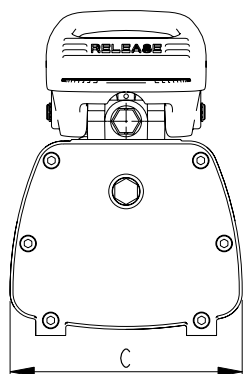
Other combinations of gauge and gauge adapter are possible.



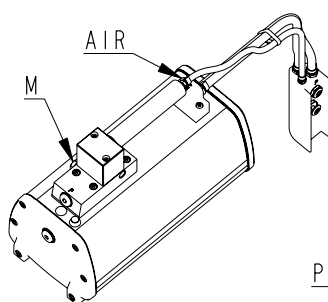
Technical data



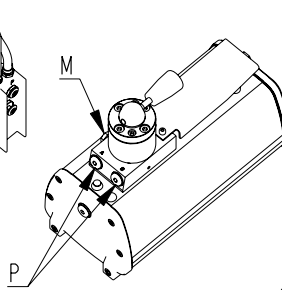
Name	Working press. MPa	Eff. oil vol. cm ³	Cap. cm ³ /min low	Cap. cm ³ /min high	Air press. MPa min	Air press. MPa max.	Length mm	Width mm	Height mm	Weight kg
PP70-2100FP	70	2100	1000	200	0.7	1.2	324	154	215	9.6
PP70-2100RC	70	2100	1000	200	0.7	1.2	324	154	203	10.4
PP70-2100MLD	70	2100	1000	200	0.7	1.2	324	154	242	10
PP70-2100MRV	70	2100	1000	200	0.7	1.2	324	154	199	9.3
PP80-2100FP	80	2100	700	150	0.6	1.2	324	154	215	9.6
PP80-2100RC	80	2100	700	150	0.6	1.2	324	154	203	10.4
PP80-2100MLD	80	2100	700	150	0.6	1.2 <td 324	154	242	10	
PP80-2100MRV	80	2100	700	150	0.6	1.2	324	154	199	9.3
PP100-2100FP	100	2100	700	100	0.7	1.2	324	154	215	10.6
PP100-2100RC	100	2100	700	100	0.7	1.2	324	154	203	11.2



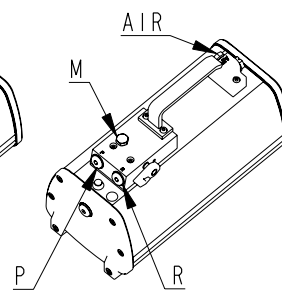
PPxx-2100FP



PPxxA-2100RC



PPxx-2100MLD



PPxx-2100MRV

Name	Working press. MPa	Eff. oil vol. cm ³	A mm	B mm	C mm	M Gauge conn.	P Press. conn.	R Return conn.	AIR Air conn.
PP70-2100FP	70	2100	324	215	154	-	G 1/4"	G 1/4"	NPT 1/4"
PP70-2100RC	70	2100	324	203	154	Yes	G 1/4"	G 1/4"	G 1/4"
PP70-2100MLD	70	2100	324	242	154	Yes	2 x G 1/4"	G 1/4"	NPT 1/4"
PP70-2100MRV	70	2100	324	199	154	Yes	G 1/4"	G 1/4"	G 1/4"
PP80-2100FP	80	2100	324	215	154	-	G 1/4"	G 1/4"	NPT 1/4"
PP80-2100RC	80	2100	324	203	154	Yes	G 1/4"	G 1/4"	G 1/4"
PP80-2100MLD	80	2100	324	242	154	Yes	2 x G 1/4"	G 1/4"	NPT 1/4"
PP80-2100MRV	80	2100	324	199	154	Yes	G 1/4"	G 1/4"	G 1/4"
PP100-2100FP	100	2100	324	215	154	-	G 1/4"	G 1/4"	NPT 1/4"
PP100-2100RC	100	2100	324	203	154	Yes	G 1/4"	G 1/4"	G 1/4"



www.nikehydraulics.com

NIKE HYDRAULICS AB
 Box 1107
 631 80 Eskilstuna
 SWEDEN
 Tel +46 16 - 16 82 00
 Fax +46 16 - 13 93 16
 info@nikehydraulics.se

NIKE HYDRAULICS Inc.
 3980 W. Albany, Unit #1
 MCHENRY, IL 60050
 USA
 Tel + 1 815 385 7777
 Fax + 1 815 385 7776
 info@nikehydraulics.com

NIKE POWER EQUIPMENT Ltd.
 Unit 6, Stechford Trading Estate
 Lyndon Road, Stechford
 BIRMINGHAM B33 8BU, UK
 Tel +44 121 789 77 07
 Fax +44 121 789 68 66
 info@nikehydraulics.co.uk